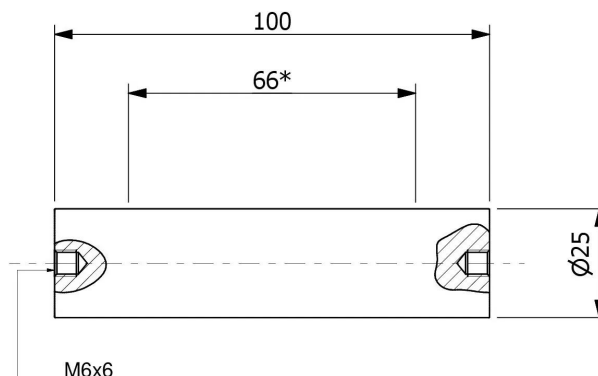


# MAGNETIC FILTER BAR (THIN-WALLED)(WATERPROOF) 25 X 100 / 2 X M6IN / N



## PERFORMANCE PARAMETERS

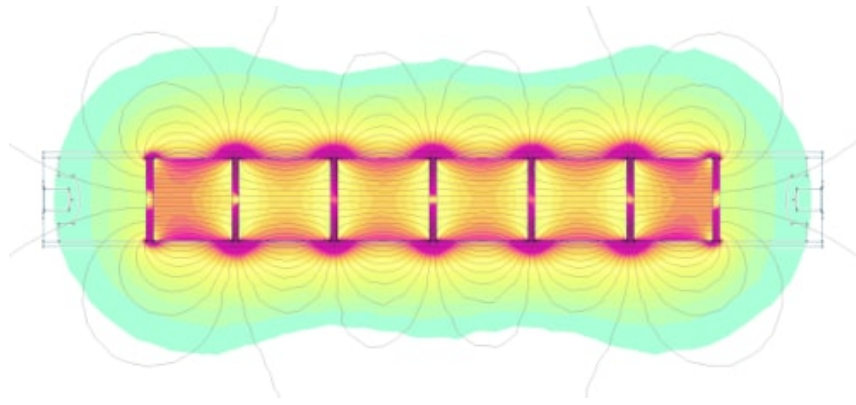
Manufacturer	Enes Magnesy
Country of origin	Poland
Customs code CN	85059029
External diameter	25 [mm]
Length	100 [mm]
* Magnetic section length	66 [mm]
With mounting hole	gwintowanym
Thread type	internal, 2 x M6
Thread length	6 [mm]
Magnet type	neodymium, N45
Magnetic properties of N45 material: remanence induction (Br) 1,32-1,38 [T], 13200-13800 [Gs]	
Maximum magnetic field over the middle poles	0,95 [T] (9500 [Gs]) +/- 5%
Magnetic induction is measured with a teslameter with a hall effect flat probe.	
Maximum working temperature	≤ 80 °[C]
Housing	stainless steel, AISI 304 / EN 1.4301, approved for contact with food
Waterproof	class IP67
Range	max. 25 [mm]
Weight	350 [g]
Casing pipe wall thickness	0,5

## MAGNETIC SHAFT POLARITY

The cylindrical surface of the filter bar is magnetically active. It has alternating magnetic poles (S-N-S... etc.) at intervals close to the diameter of the shaft.

## MAGNETIC FIELD DISTRIBUTION

An exemplary distribution of the filter bars magnetic field is shown in the graphic below. Areas with the highest magnetic induction over the poles are shown in red color.



## METHOD OF MEASURING MAGNETIC INDUCTION

The magnetic induction is measured on the surface of the shaft in its middle part. For the measurement was used a teslameter with a hall sensor flat probe. The measurement is carried out near the magnetic pole, looking for the highest value of the magnetic field.

## CLEANING THE MAGNETIC FILTER BARS

Magnetic filter bars are cleaned manually by moving the captured ferromagnetic elements to one of the ends of the roller (there the magnetic force is lower) and sliding the impurities off the surface. This can be done with a gloved hand, cloth, compressed air or pressurized water. The effective range of the filter bar is assumed to be equal to its diameter.

## SAFETY RULES

Strong vibrations can break the ceramic magnets inside the magnetic filter bar and reduce the magnetic field around the roller. It is absolutely necessary to comply with warning signs and prohibitions. Attention! Careless handling of the product can cause hand injuries!

## PRODUCT PHOTOS

