



**Product name : Magnetic drawer 135x135/200x200/N**

## PERFORMANCE PARAMETERS

Manufacturer	Enes
magnetic drums diameter	32 [mm]
Length	135 [mm]
Width	135 [mm]
Height	200 [mm]
Material	Neodymium
Flow surface	95,8
Number of magnetic bars	3
polarity	bieguny obwodowe
Maximum magnetic field over the middle poles	0,65 [T]
Maximum working temperature	80 °[C]
Housing	stainless steel
handling mode	ręczny
two-level	yes
Przesypowy	yes
for installation in the pipeline	yes
for installation in the duct	yes
Zasypowy	yes
with an easy cleaning	yes
work in systems with the flow of purified material	grawitacyjnym, wymuszonym
Weight	9 [kg]

Separation magnetic drawers are used for catching magnetically soft elements (iron filings, bolts, etc.) from loose materials (e.g. powders, granulated products, grains etc.). They may be of use in food industry (as a version closed in acid-proof steel H18N9(1.4301)(304) and 1H18N9T(1.4541)(321) housing), as well as in plastics processing, ceramic and many other branches of industry.

Built-in magnetic grate made of acid-proof steel contains a magnetic system assembled with neodymium magnets. It is a surface of the four incorporated into the separator magnetic filter bars of 32 mm in diameter which is magnetically active. Caught magnetically soft elements falls self-moving off after pushing the magnetic grate out of the box and sequentially pushing magnetic active parts out of protection tubes.

[On commission we are ready to provide magnetic separators with dimensions chosen by Clients. Magnetic parameters, range of activity and dimensions are adjusted according to Client needs and expectations.](#)

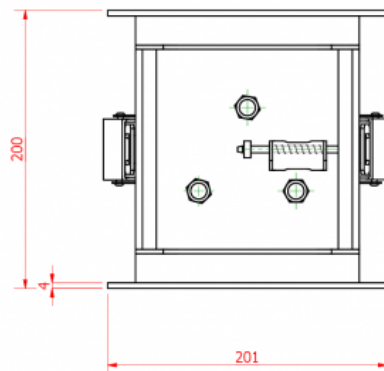
Magnetic field in the center of surface of pole of the magnetic filter bar is  $\sim 0,650$  [T].

In the magnetic grate sintered neodymium magnets were used. Max. working temperature for the magnetic grates with neodymium magnets is approx.  $80^{\circ}$ [C].

Weight of grate is:  $\sim 9,0$  [kg]



## TECHNICAL DRAWING



## TECHNICAL DRAWING

